

HOOKSTICK SWITCH – HS17750

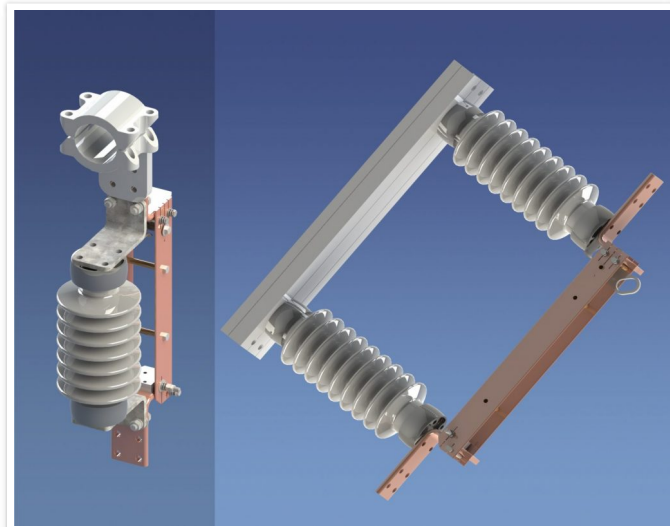
Robust & Reliable

The HS17750 is a simple, robust and very reliable station class hookstick switch.

All parts are machined from solid billet materials, such as 304 stainless steel and hard drawn copper.

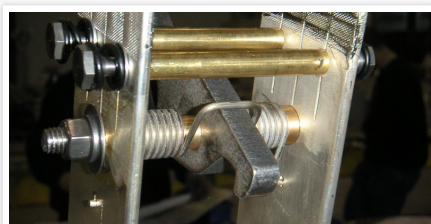
NO CASTINGS

 PDF DATASHEET



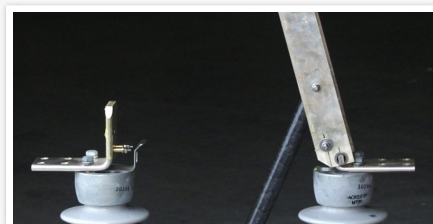
TECHNICAL FEATURES

- ✓ High strength aluminum or galvanized steel base frame;
- ✓ Hardware on live parts are made of non-magnetic materials (mainly stainless steel);
- ✓ Current-carrying parts are made of high-conductivity copper;
- ✓ Contacts are made of silver plated hard drawn copper;
- ✓ Contact pressure is provided through multiple spring loaded fingers.



CUT VIEW OF LATCH

- ✓ Heavy-duty latch spring protected from ice buildup with the terminal pad when closed.



OPTIONAL AUXILIARY CONTACTS

- ✓ The EMSPEC hookstick switch can be fitted with four (4) auxiliary contacts for use in indoor substations or industrial environment.

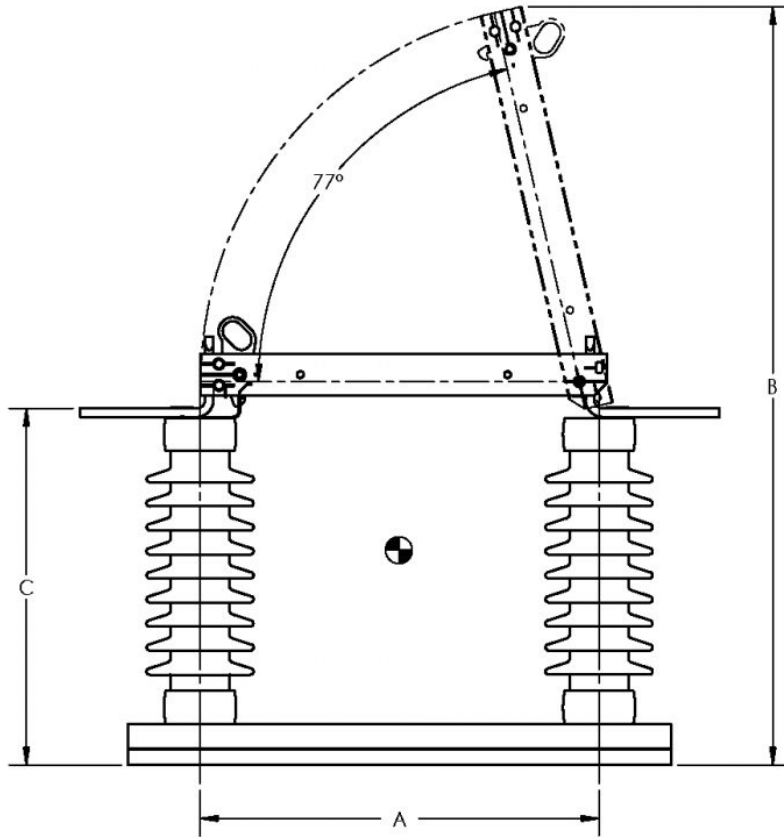
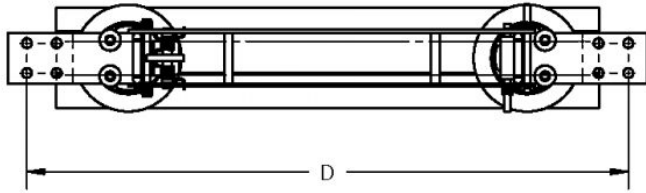
VEE-TYPE FRAME

- ✓ Vee-type frames are optional. Please consult factory.

HOOKSTICK SWITCH – HS17750

DIMENSIONS & TECHNICAL DATA

✓ Dimensions based on ANSI TR insulators.



BIL (kV)	110	150	200	250	350	550
A	441	441	597	697	970	1455
B	781	882	1 136	1 335	1 836	2 710
C	331	433	534	636	841	1 247
D	744	744	900	1 000	1 273	1 758
In (A)	Up to 2 000	Up to 2 000	Up to 2 000	Up to 2 000	Up to 2 000	Up to 2 000
Icc (kA peak)	Up to 82	Up to 82	Up to 82	Up to 82	Up to 82	Up to 82

For other ratings consult factory

OPTIONS

- ✓ Silicone or polymer insulators
- ✓ Auxiliary contacts
- ✓ Vee-type frame

This brochure provides a brief introduction. EMSPEC reserves the right to make changes at any time, without notice.
