

## WORM GEAR MANUAL OPERATOR RV204 – RV402 – RV801

### Robust & Reliable

The wormgear operator is designed with simplicity in mind that makes it reliable and easy to operate.

All parts are fabricated from extruded aluminum or machined from solid billet materials, such as 304 stainless steel and hard drawn copper.

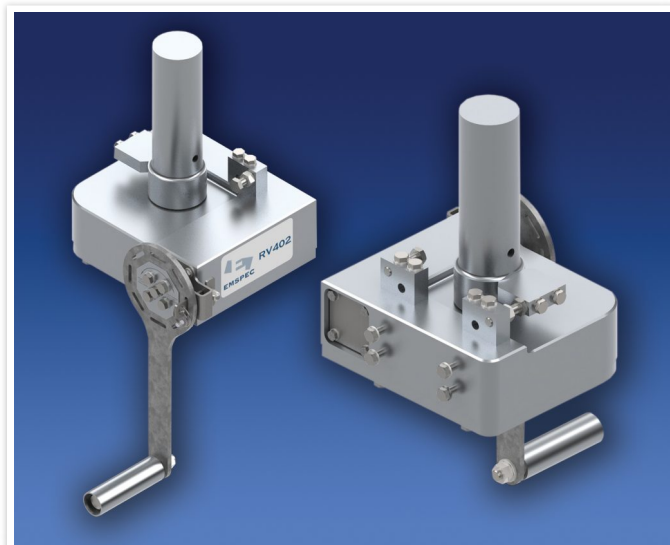
### AVAILABLE RATIO

80:1

40:1

20:1

### NO CASTINGS

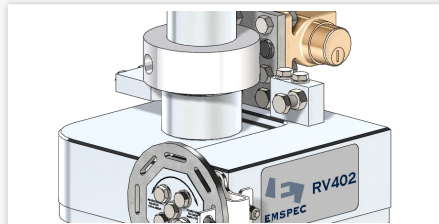


 PDF DATASHEET



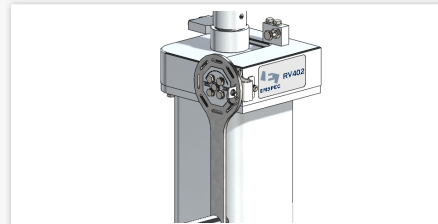
### TECHNICAL FEATURES

- ✓ Just like our range of switches, the wormgear range of operators are made from the highest quality materials. The housing and the main shaft are machined from billet 6061T6 aluminum.
- ✓ The gear is made of high strength bronze and the drive screw is made of stainless steel. The interface to structure is made of galvanised steel.



### OPTIONAL KEY INTERLOCK

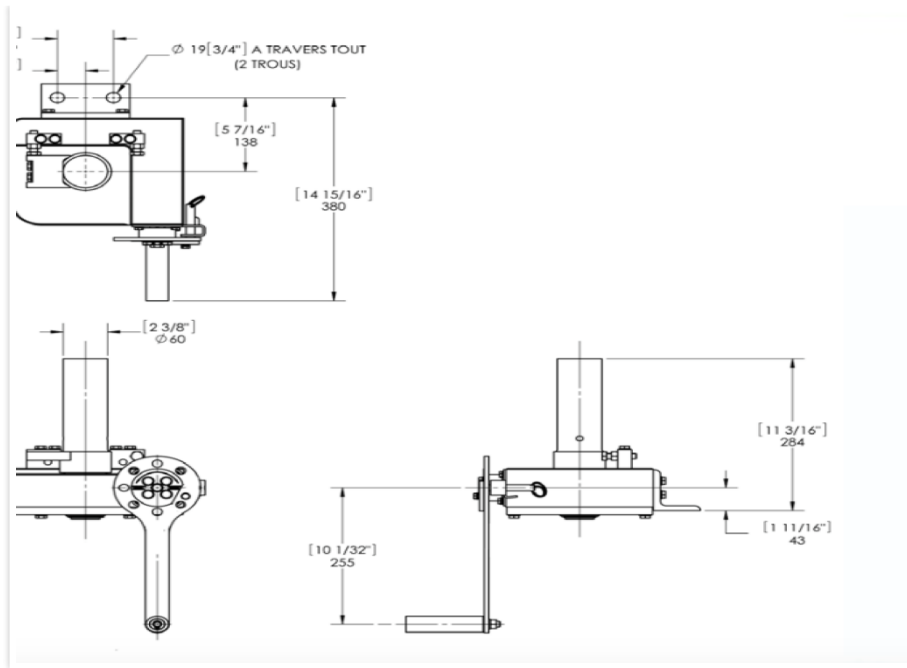
- ✓ The operator may be provided with optional trapped key interlocks. Two locks can be installed on the support.



### AUXILIARY SWITCHES

- ✓ The RV operators auxiliary switch unit is directly inline with the output shaft. Each switch is fully adjustable. You have the choice of 10 or 20 contacts. The cover slides out to provide full access to the terminals and contacts.

## WORM GEAR MANUAL OPERATOR



- ✓ The operator is shown with the standard straight angle structure interface.
- ✓ Other type of interface may be provided to suit the application.
- ✓ The output shaft provides 180° rotation. 135° is also available as an option.

#### OPTIONS

- ✓ Trapped key interlock
- ✓ Auxiliary contacts

*This brochure provides a brief introduction. EMSPEC reserves the right to make changes at any time, without notice.*