

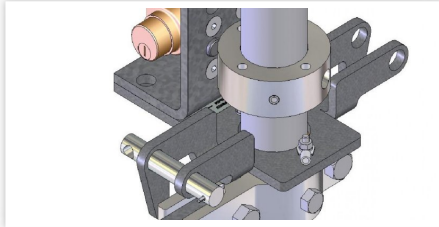
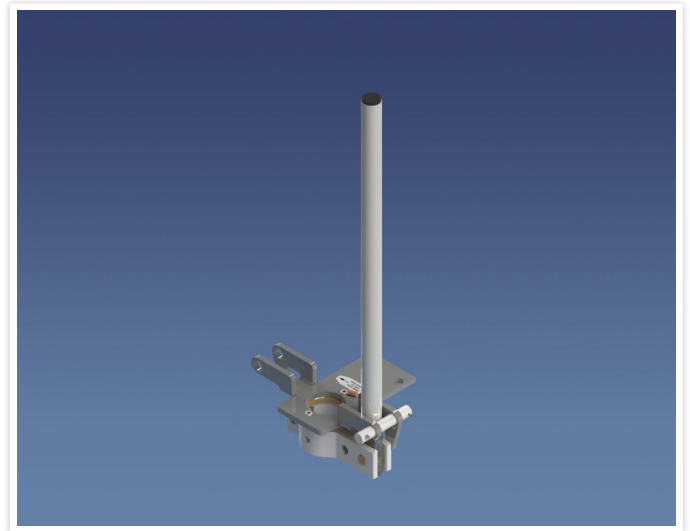
## MANUAL SWING HANDLE OPERATOR – BT280

### Simple & Robust

The swing handle operator is designed with simplicity in mind that makes it reliable and easy to operate.

NO CASTINGS

 PDF DATASHEET



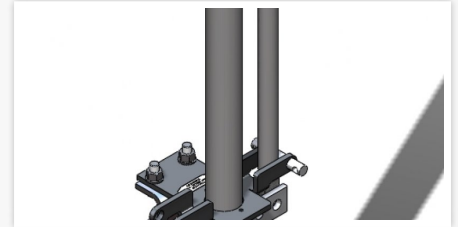
#### TECHNICAL FEATURES

- ✓ The swing handle, aka the torsion bar, is made from the highest quality materials. The support plate and handle are made from galvanized steel and the pipe clamp is machined from billet 6061-T6 aluminum.
- ✓ The guiding axel is made of high strength bronze. Padlockable in the open and close position, the handle locks in the upward position. This avoids the handle to be buried by snow.



#### OPTIONAL KEY INTERLOCK

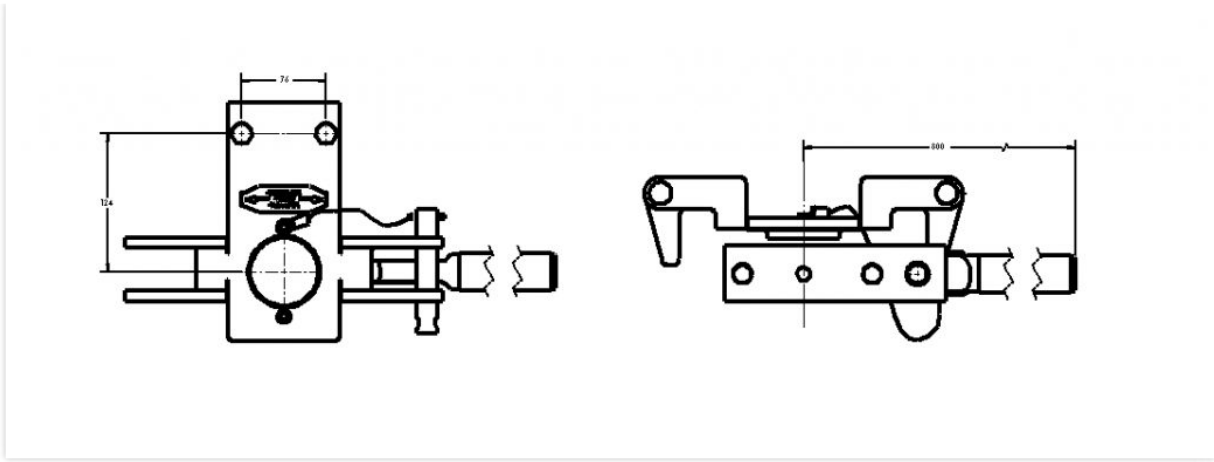
- ✓ The operator may be provided with optional trapped key interlocks. Two locks can be installed on the support.



#### Optional auxiliary switches

- ✓ The swing handle operator auxiliary switch unit is directly inline with the output shaft. Each switch is fully adjustable. You have the choice of 10 or 20 contacts. The cover slides out to provide full access to the terminals and contacts.

## MANUAL SWING HANDLE OPERATOR BT280



The handle is designed for 180° rotation

**OPTIONS:**

- ✓ Trapped key interlock
- ✓ Auxiliary contacts

This brochure provides a brief introduction. EMSPEC reserves the right to make changes at any time, without notice.