

INDOOR TILT SWITCH – SB813

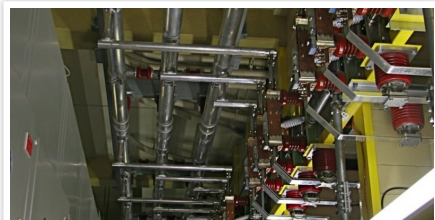
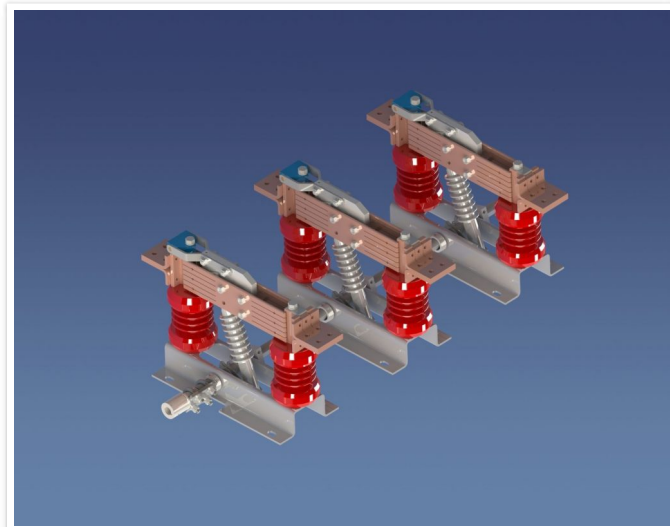
Robust & Reliable

The SB813 is a simple, robust and very reliable indoor disconnect switch for metalclad switchgear or open frame mounting.

All parts are machined from solid billet materials, such as 304 stainless steel and hard drawn copper.

NO CASTINGS

 PDF DATASHEET



TECHNICAL FEATURES

- ✓ High strength yellow zinc plated steel base frame;
- ✓ High strength epoxy insulators & push rod;
- ✓ Twin blades made of high-conductivity copper;
- ✓ Moving and fixed contacts are made of silver plated hard drawn copper;



HEAVY DUTY CONTACTS

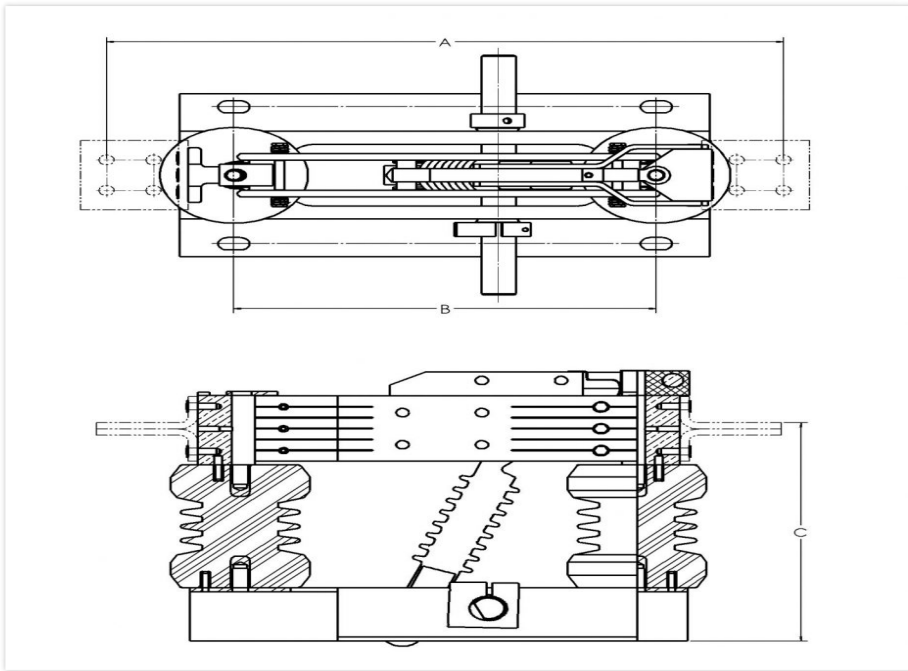
- ✓ For high duty cycle applications where switches are required to operate 20 to 30 times in a day, EMSPEC has developed optional silver inlays. Please consult factory for more details.



UP TO 8 000A

- ✓ The SB813 was designed to meet the most severe applications. Some industrial process plants require 6000 and 8000A switches, which EMSPEC is able to provide.

✓ Dimensions based on ANSI TR insulators.



BIL (kV)	95	110	125	150	170
A	598	641	761	761	792
B	350	400	480	490	550
C	252	330	545	570	469
In (A)	Up to 8 000	Up to 8 000	Up to 8 000	Up to 8 000	Up to 8 000
Icc (kA peak)	Up to 82	Up to 82	Up to 82	Up to 82	Up to 82

For other ratings consult factory

OPTIONS

- ✓ Silicone, polymer or porcelain insulators
- ✓ Silver plating or silver inlays contacts
- ✓ Ground switches
- ✓ Mechanical or trapped key interlocks
- ✓ Manual or motor operators
- ✓ Auxiliary contacts

This brochure provides a brief introduction. EMSPEC reserves the right to make changes at any time, without notice.