

CENTER SIDE BREAK SWITCH – SR16200

Robust & Reliable

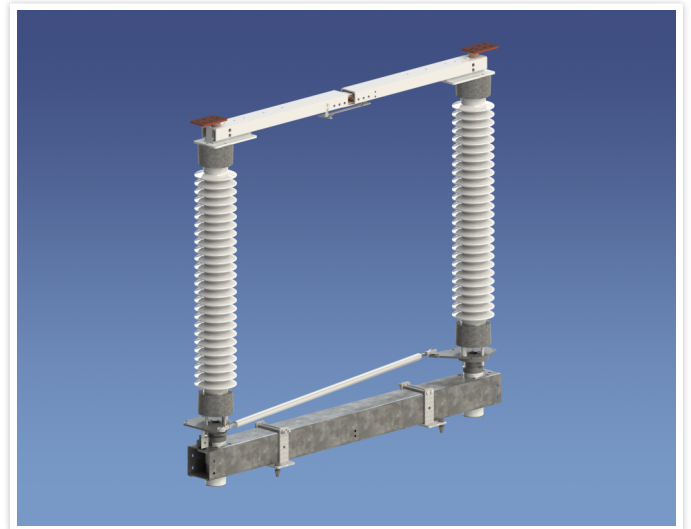
The SR16200 is a simple design using only the best available materials.

Solid extruded aluminum terminals, extruded aluminum blades, stainless steel pivot shaft, extruded aluminium pivot housing.

All parts are fabricated from extruded aluminum or machined from solid billet materials, such as 304 stainless steel and hard drawn copper.

NO CASTINGS

 PDF DATASHEET



TECHNICAL FEATURES

- ✓ High strength hot dip galvanized steel base;
- ✓ Maintenance-free dry lubricant bearings;
- ✓ Hardware on live parts are made of non-magnetic materials;
- ✓ Current-carrying parts are made of high-conductivity extruded aluminum;
- ✓ Contacts are made of silver plated hard drawn copper;
- ✓ Solid silver inlay contacts may also be provided as an option.



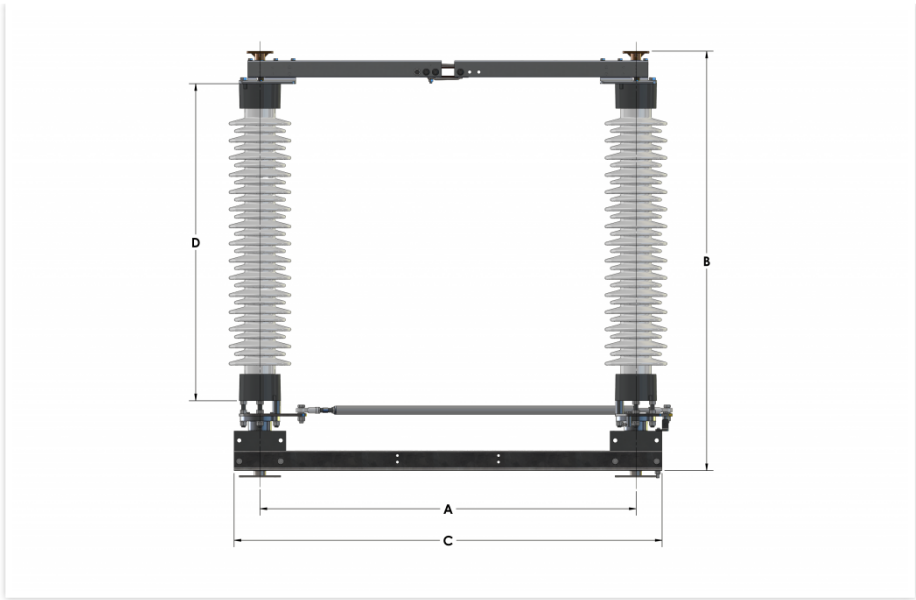
CURRENT-CARRYING PARTS

- ✓ All current transfers are based on our proven rotating contact with multiple spring-loaded fingers.
- ✓ The same contacts are used at the jaw and hinges. These contact components are also used on our folding vertical break and semi-pantograph switches.
- ✓ The blades are made of high-conductivity heat treated extruded aluminum.



OPTIONAL CONFIGURATION

- ✓ The SR16200 is available in V configuration.



DIMENSIONS & TECHNICAL DATA

- ✓ Dimensions based on ANSI TR insulators and up to 2 500A.
- ✓ For V configuration consult factory.
- ✓ For 3 000 to 4 000A, consult factory.

EN (kV)	38	52	72.5	123	145	170	245	
BIL (kV)	200	250	350	550	650	750	900	1 050
A	650	750	1 030	1 450	1 700	2 000	2 350	2 750
B	735	835	1 161	1 542	1 771	1 994	2 582	2 887
C	850	950	1 230	1 650	1 980	2 280	2 630	3 030
D	457	559	762	1 143	1 372	1 575	2 032	2 337
In (A)	up to 4000	up to 4000	1 200 to 4 000	1 200 to 4000	1 200 to 4000	1 200 to 4000	1 200 to 4000	1 200 to 4000
Icc (kA peak)	up to 163	up to 163	up to 163	up to 163	up to 163	up to 163	up to 163	up to 163
Icc (kA rms)	up to 63	up to 63	up to 63	up to 63	up to 63	up to 63	up to 63	up to 63

For other ratings consult factory

OPTIONS

- ✓ Parallel or perpendicular grounding switch
- ✓ Manual or motor operator
- ✓ Mechanical, electromagnetic, electrical and trapped key interlock system
- ✓ Arcing horns
- ✓ Silver inlays or silver plating

This brochure provides a brief introduction. EMSPEC reserves the right to make changes at any time, without notice.